

F E D C B A

4

3

2

1

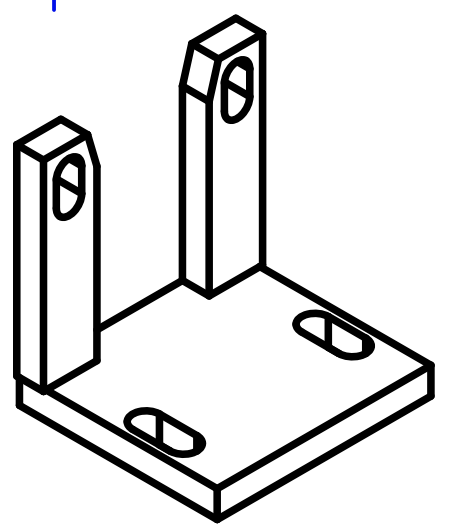
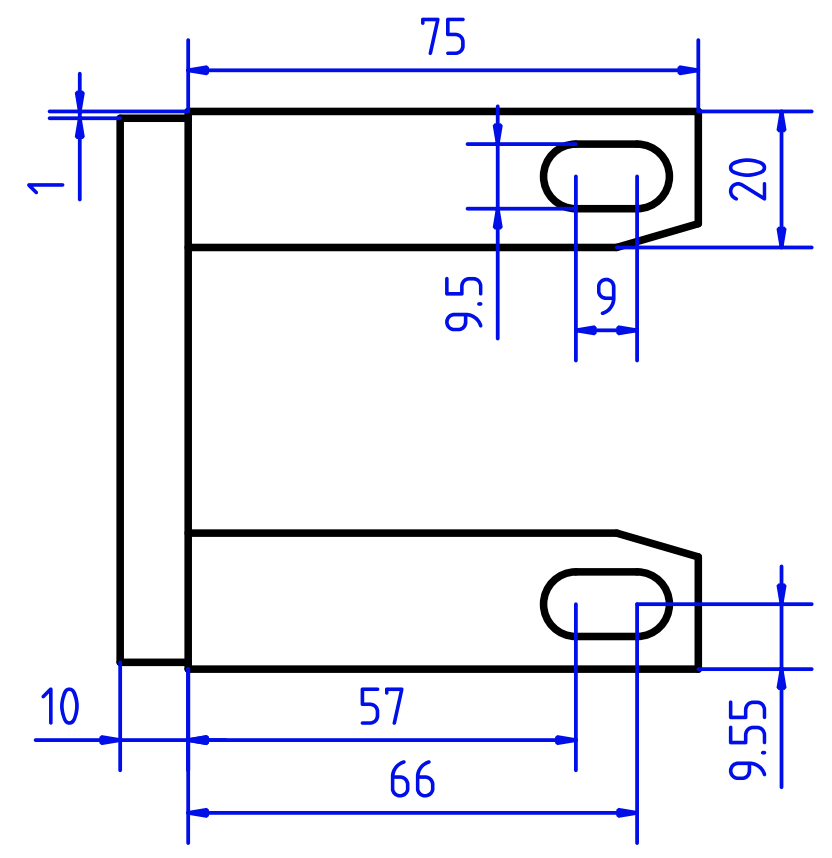
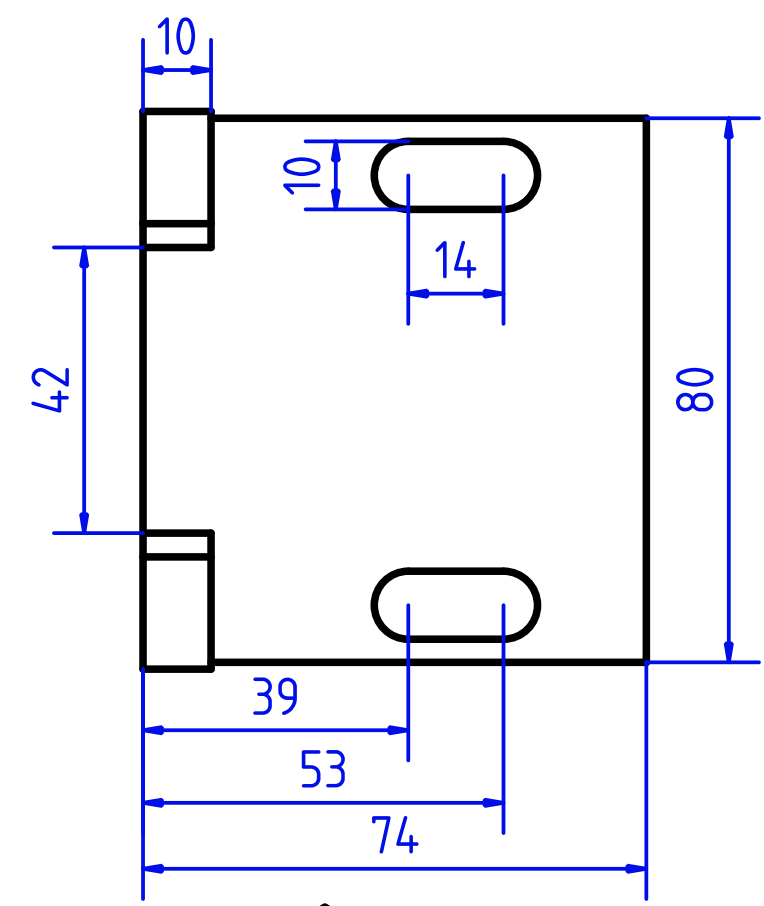
F E D C B A


4

3

2

1



DESIGNED BY: j		<b>Brake caliper mount</b>		G	—
DATE: 2024.07.27		Lawnmower conversion		F	—
SIZE <b>A4</b>				E	—
				D	—
SCALE 0.9:1	WEIGHT (kg) Weight	DRAWING NUMBER V1.0	SHEET 1/1	C	—
This drawing is our property; it can't be reproduced or communicated without our written consent.				B	—
				A	—