


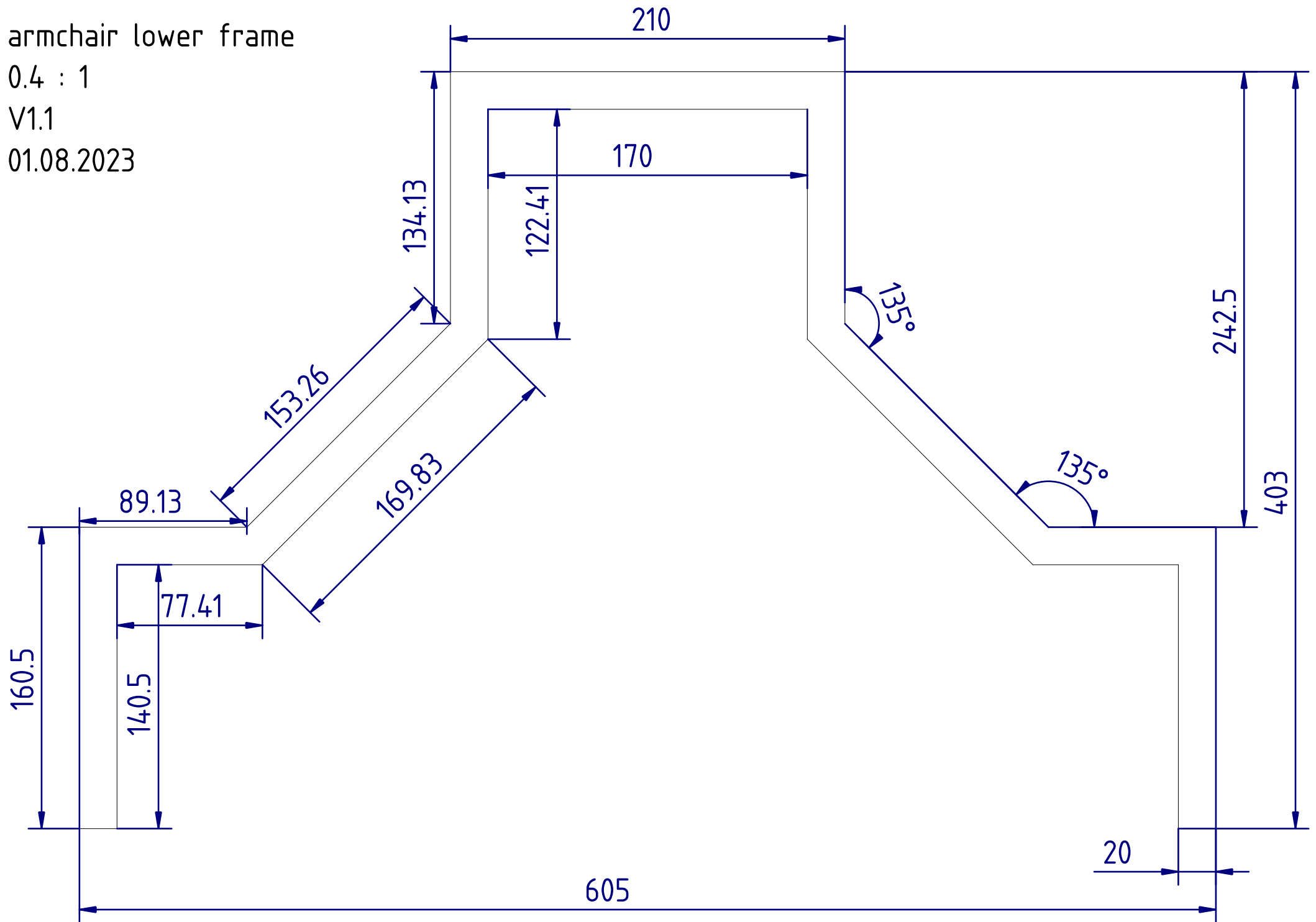
DESIGNED BY: j		armchair: frame		G	—
DATE: 31.07.2023		overview: top and lower frame		F	—
SIZE A4				E	—
SCALE 0.18 : 1				WEIGHT (kg) Weight	DRAWING NUMBER V1.0
		SHEET 1/2		C	—
				B	—
				A	—

armchair lower frame

0.4 : 1

V1.1

01.08.2023



F E D C B A

4

3

2

1

4

3

2

1

214.95

25

Ø28

7.5

9.7

15.5

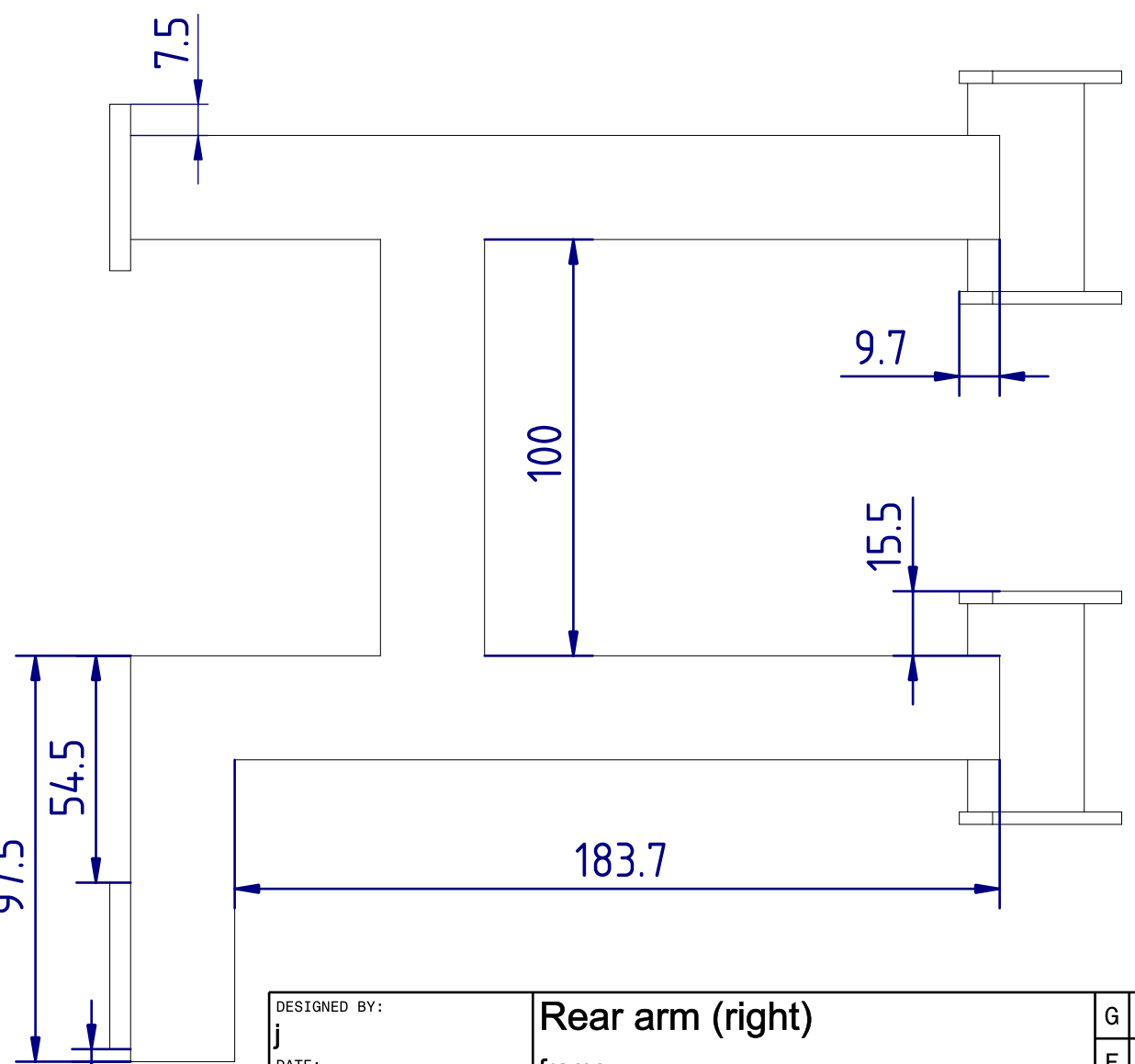
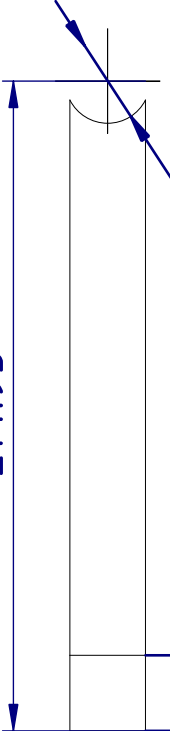
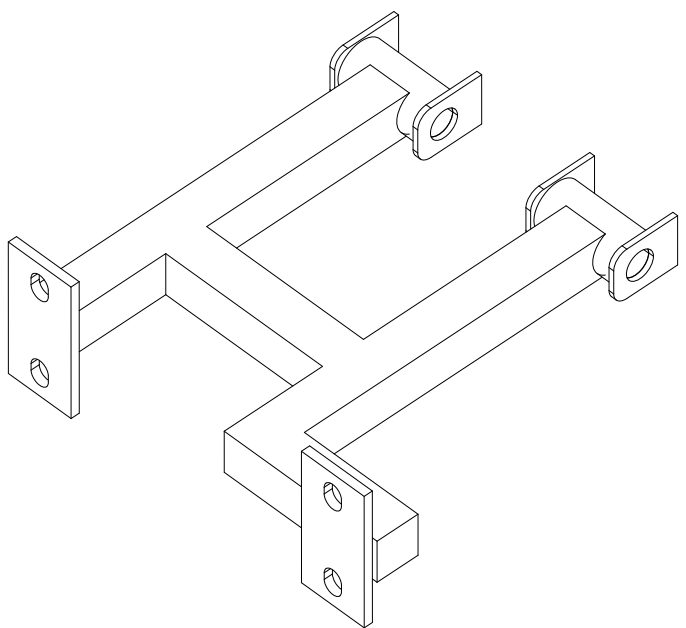
100


183.7

97.5

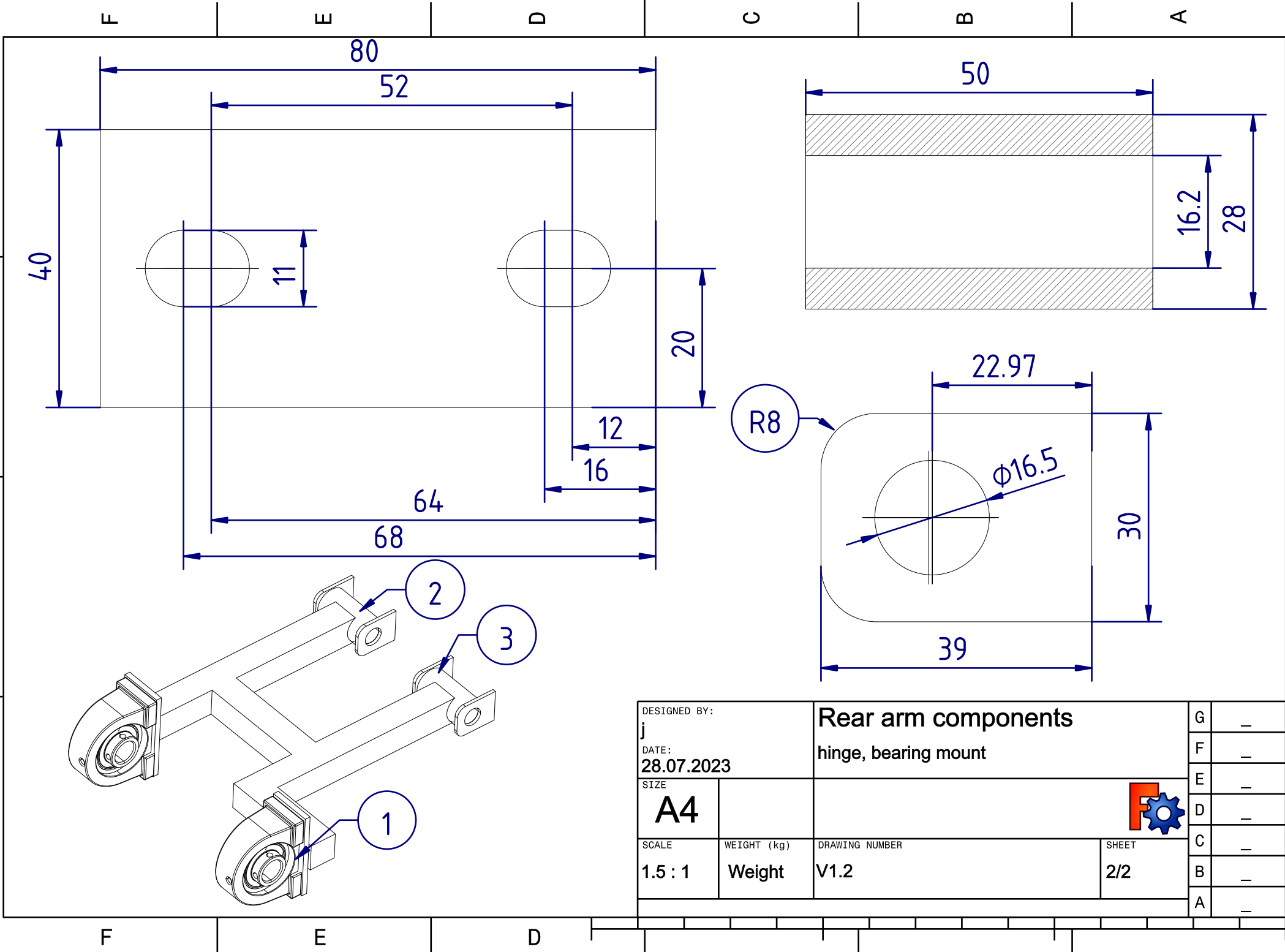
54.5


3

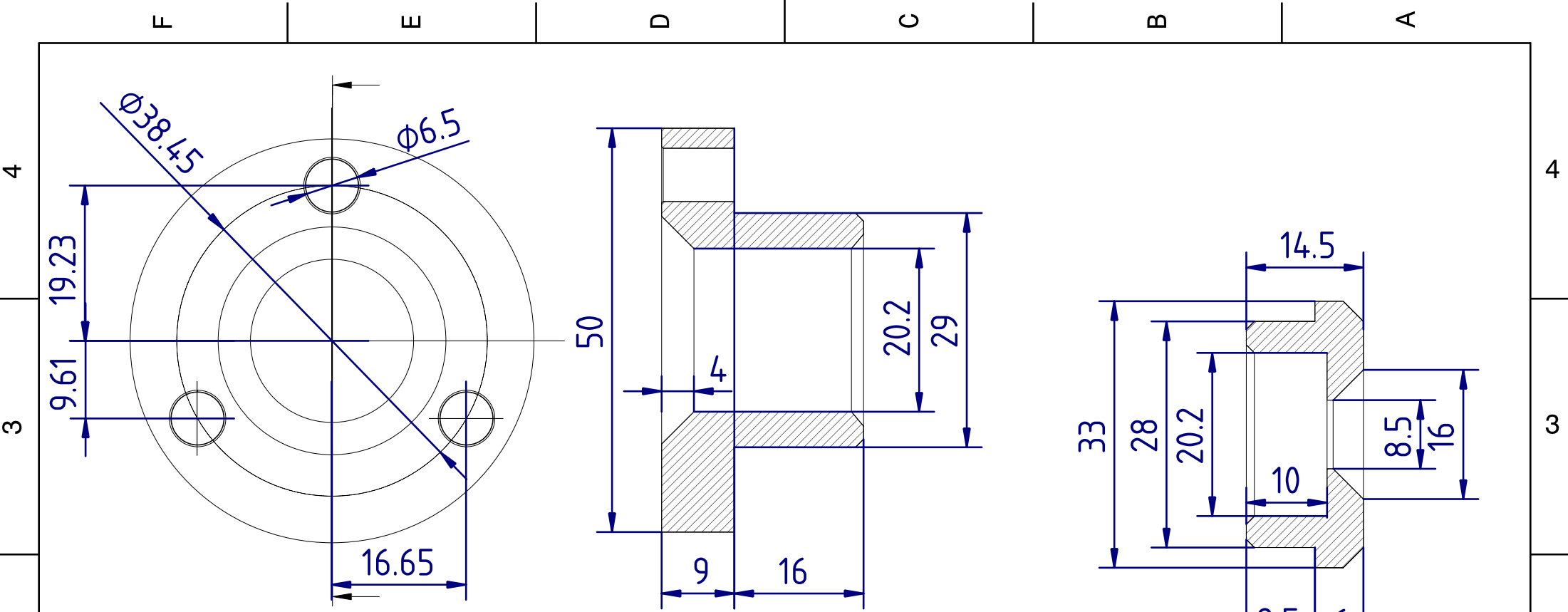


DESIGNED BY: j		Rear arm (right)		G	-
DATE: 30.07.2023		frame		F	-
SIZE A4				E	-
SCALE 0.6 : 1				D	-
WEIGHT (kg)	DRAWING NUMBER V1.4	SHEET 1/2	C	-	
			B	-	
			A	-	

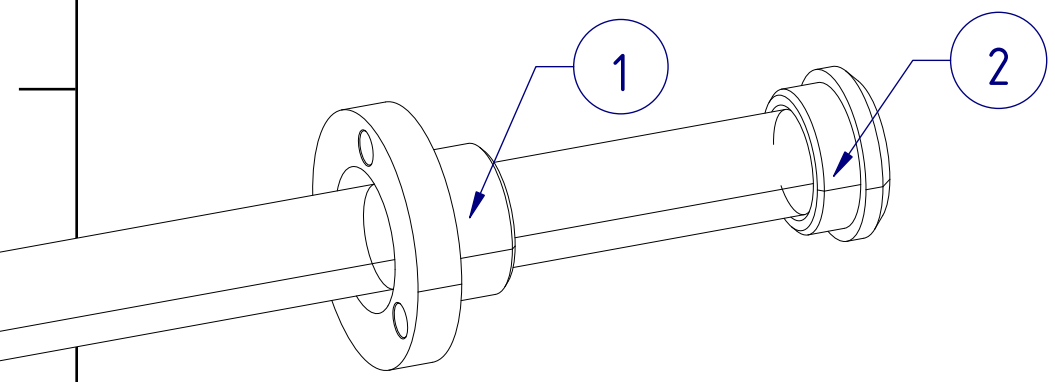
F E D C B A




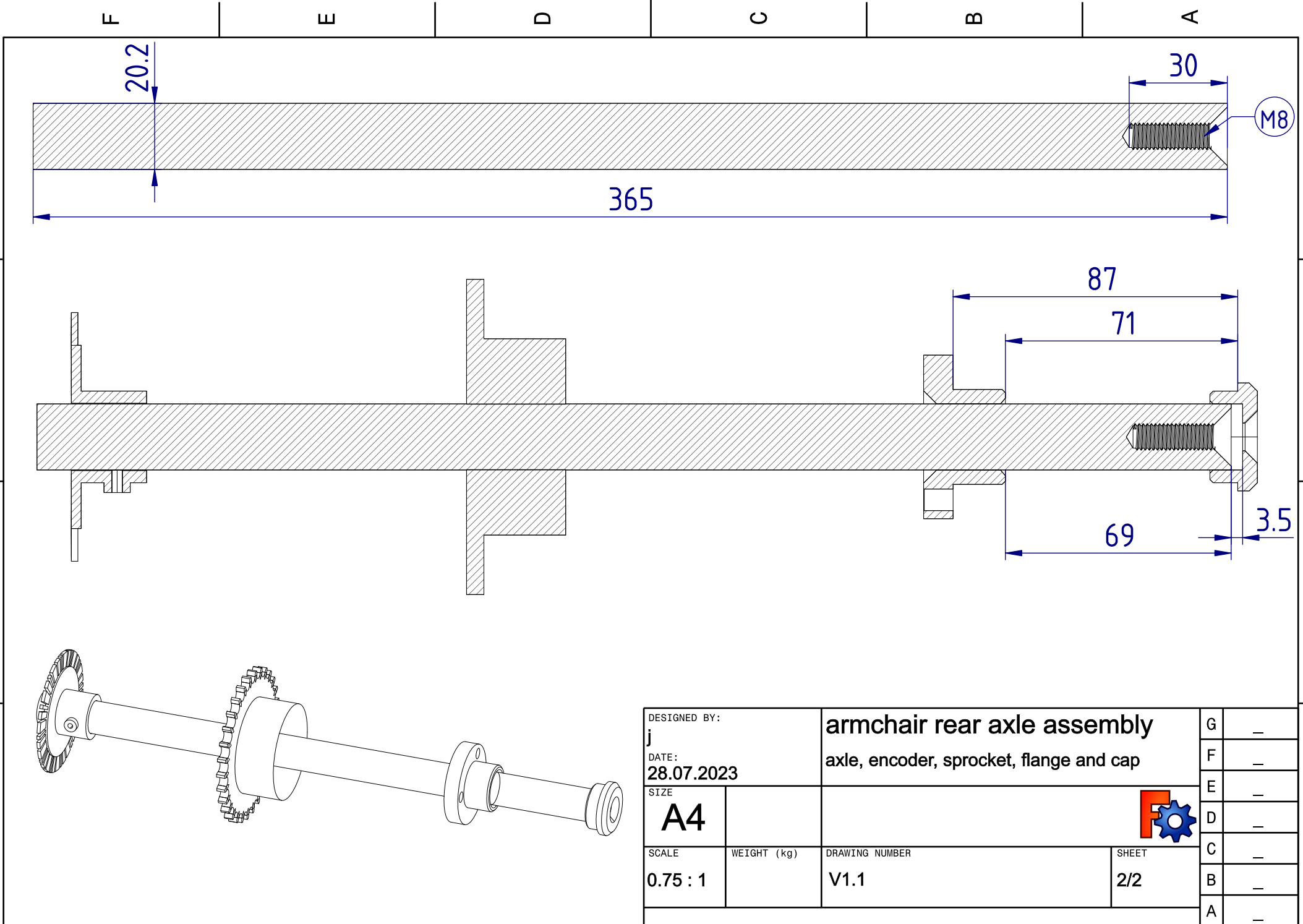
DESIGNED BY: j		Rear arm components		G	-
DATE: 28.07.2023		hinge, bearing mount		F	-
SIZE A4				E	-
SCALE 1.5 : 1				D	-
WEIGHT (kg) Weight	DRAWING NUMBER V1.2	C	-	B	-
SHEET 2/2		A	-		




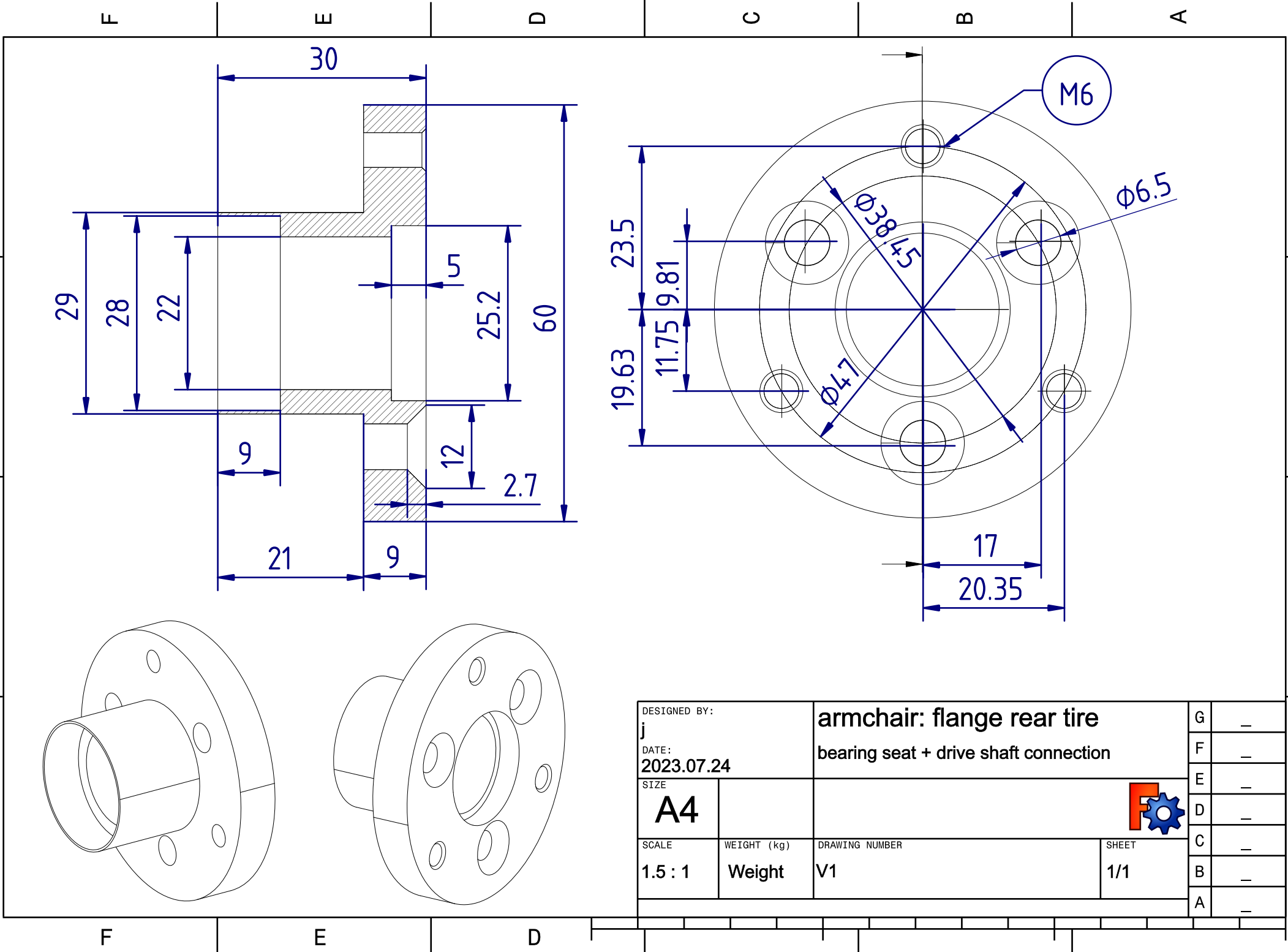
Note: weld to shaft first, then turn to exact dimensions




DESIGNED BY: j		Axle components		G	—
DATE: 28.07.2023		Tire flange, cap		F	—
SIZE A4				E	—
SCALE 1.5 : 1				D	—
WEIGHT (kg) Weight	DRAWING NUMBER V1.1	C	—	1	
SHEET 1/2		B	—		
		A	—		



DESIGNED BY: j		armchair rear axle assembly		G	—
DATE: 28.07.2023		axle, encoder, sprocket, flange and cap		F	—
SIZE A4				E	—
SCALE 0.75 : 1				WEIGHT (kg)	DRAWING NUMBER V1.1
SCALE 0.75 : 1		WEIGHT (kg)	DRAWING NUMBER V1.1	C	—
			SHEET 2/2	B	—
				A	—



DESIGNED BY: j		armchair: flange rear tire		G	—
DATE: 2023.07.24		bearing seat + drive shaft connection		F	—
SIZE A4				E	—
SCALE 1.5 : 1	WEIGHT (kg) Weight			DRAWING NUMBER V1	D
		SHEET 1/1		C	—
				B	—
				A	—

F

E

D

C

B

A

87.5

35

1:1

6.5

42

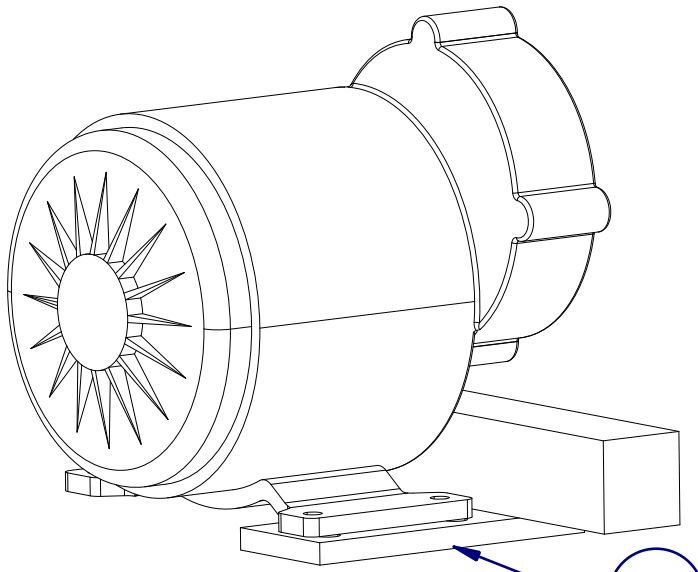
12

21

9

51.5

9.5



1

DESIGNED BY: j		armchair: motor mount		G	-
DATE: 29.07.2023		split plates - below tube		F	-
SIZE A4				E	-
SCALE 1:1				WEIGHT (kg)	DRAWING NUMBER V2.0
1:1				C	-
				B	-
				A	-

4

4

3

3

2

2

1

1

F

E

D

F

E

D

C

B

A

4

4

3

3

2

2

1

1

60

42

6.5

35

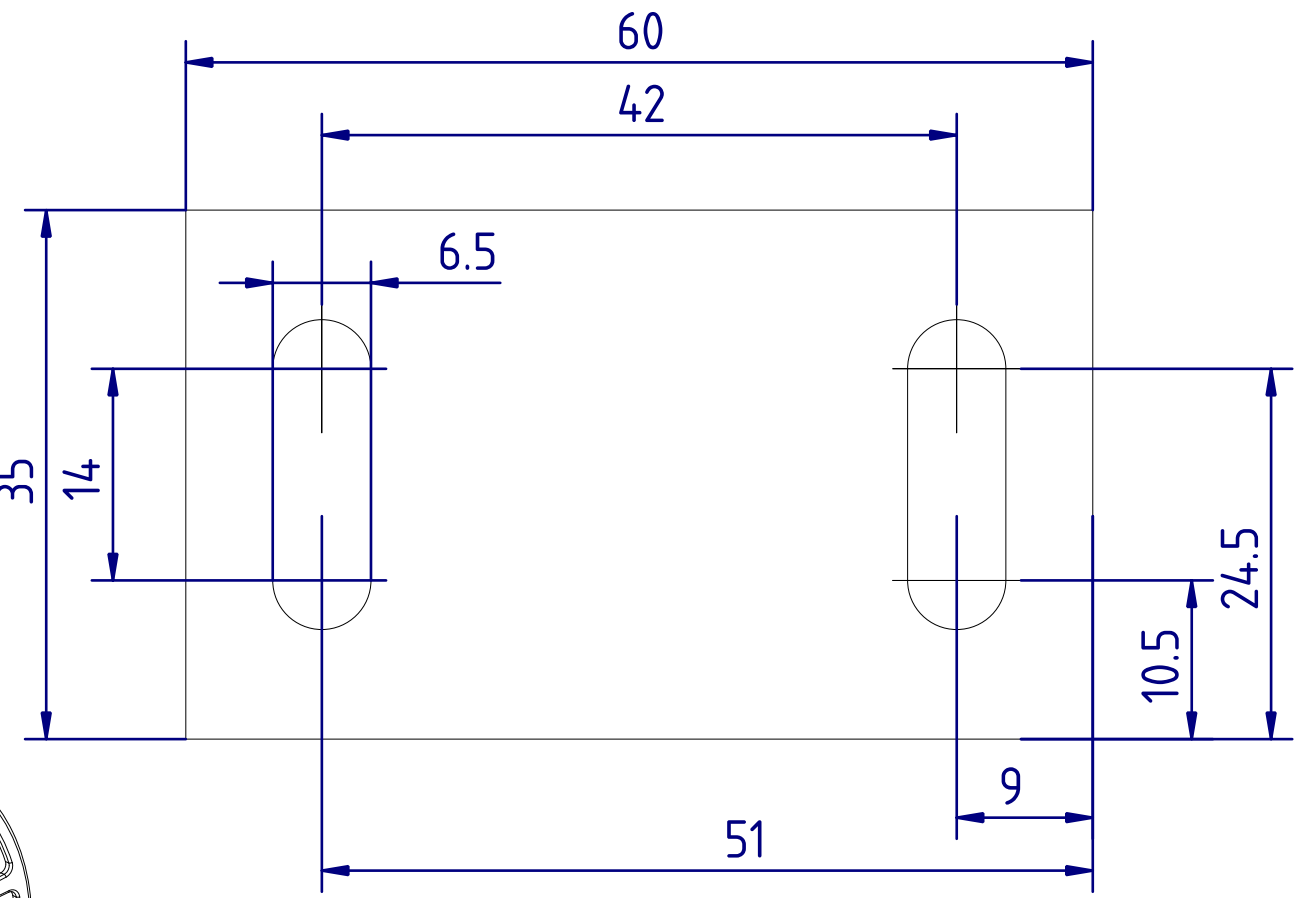
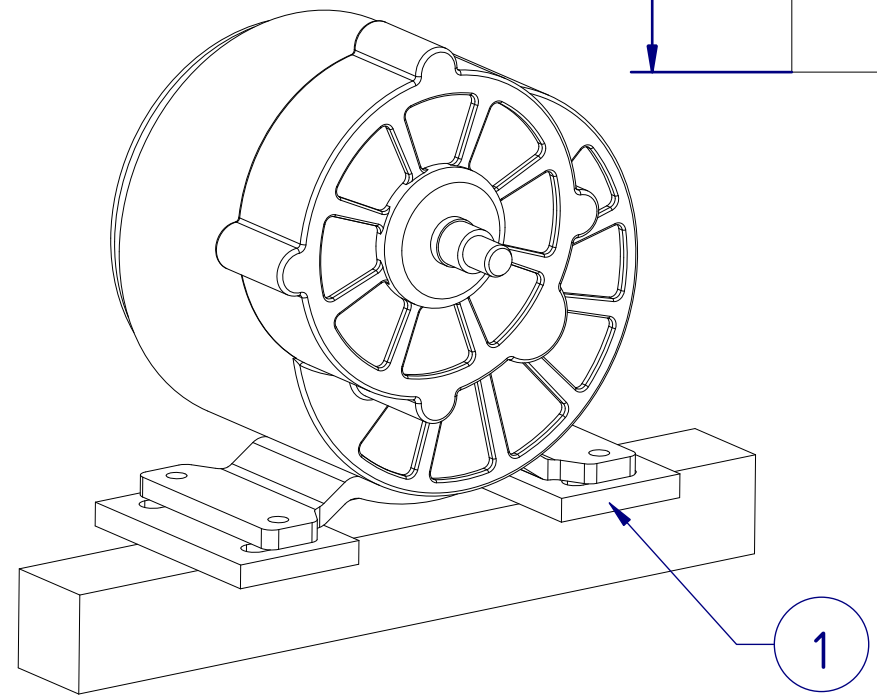
14

10.5

24.5

51

9



DESIGNED BY: j		armchair: motor mount		G	-
DATE: 31.07.2023		split plates - above tube		F	-
SIZE A4				E	-
SCALE 2 : 1				D	-
WEIGHT (kg)	DRAWING NUMBER V3.0	SHEET 1/1	C	-	
			B	-	
			A	-	

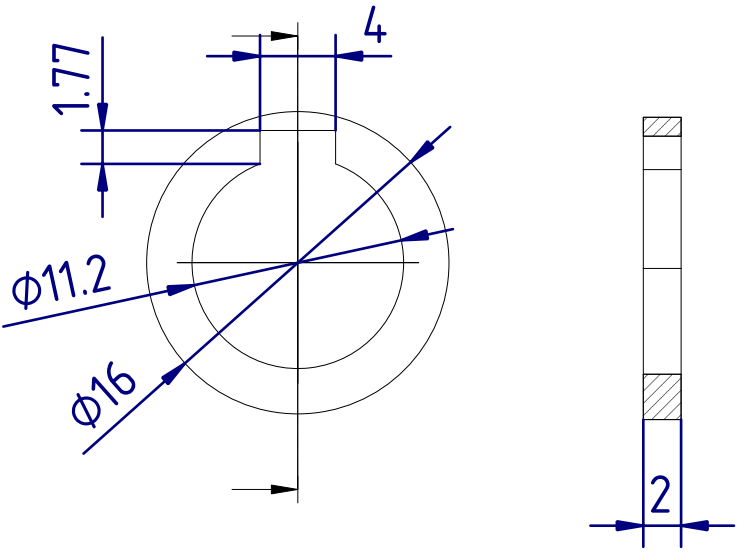
F

E

D

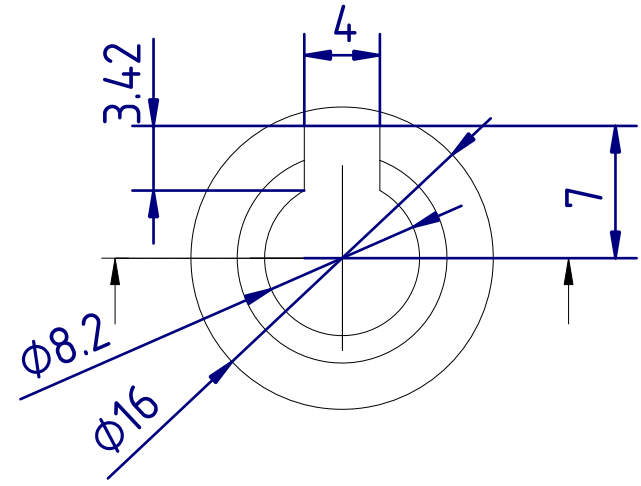
F E D C B A

4



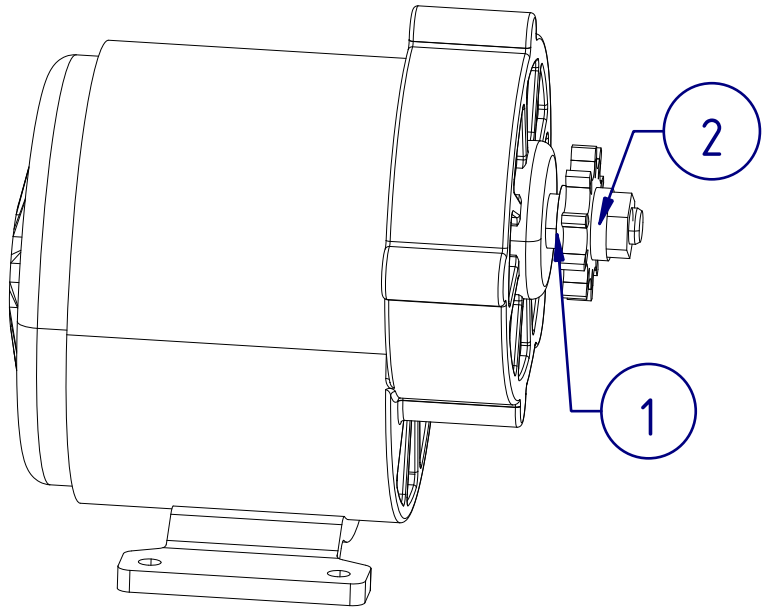
4

3

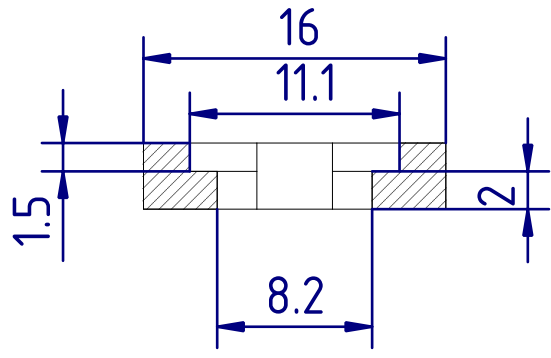


3


2



2



1

DESIGNED BY: j		armchair: motor - sprocket		G	—
DATE: 01.08.2023		motor-sprocket interface parts		F	—
SIZE A4				E	—
SCALE 2.5 : 1				D	—
WEIGHT (kg)	DRAWING NUMBER V1.1	C	—	1	
	SHEET 1/1	B	—		
		A	—		

F E D